

INSTRUCTION MANUAL



Model 2389 RAPID CHARGER

**For use with the Model 2380 Mini™
Hand-Held Tube Sealer**

©1997 SEBRA
Vante, Inc.

3480 E. Britannia Dr., Suite 120
Tucson, AZ 85706 USA

Telephone (520) 881-6555
Fax (520) 323-9055
Toll Free (877) 565-5557

Part No. VT-23892000-01 Rev. B

Preliminary Information

Document Scope

This manual is a guide for the operation and care of the Vante® SEBRA Model 2389 Rapid Charger. The information contained herein is based upon technical data that have been validated by Vante® SEBRA and is believed to be appropriate for the intended use of the product.

Intended Audience

This manual is for use by personnel having technical skills and familiarity with the Model 2380 Mini™ Hand Held Tube Sealer.

Application

The Model 2389 Rapid Charger is for charging of battery packs for and used with the Model 2380 sealer.

Exclusions and Limits of Liability

Vante® SEBRA makes no warranties, expressed or implied, and assumes no liability in connection with any use of this information. If the product or its related procedures are used for purposes other than those stipulated herein, validation of the specific application should be obtained, otherwise Vante® SEBRA assumes no liability or obligation nor guarantees product performance. The contents of this manual are not to be construed as license to operate under, nor a recommendation to infringe upon, any patents. Personnel using the product do so at their own discretion and risk.

Proprietary Information

All rights are reserved. Copying of the protected designs associated with the Vante® Sebra Model 2389 Rapid Charger is strictly prohibited without the prior written consent of Vante.

User Alerts

Throughout this document CAUTIONS and NOTES are employed to notify the user of important and/or critical information.

CAUTION: A Caution indicates a condition or procedure that could result in damage to the unit. A Caution is enclosed with a single-line box.

NOTE: A Note indicates important and/or useful information.

Table of Contents

Document Scope	ii
Intended Audience	ii
Application.....	ii
Exclusions and Limits of Liability.....	ii
Proprietary Information	ii
User Alerts	ii
1.0 Rapid Charger Description	1
1.1 Product Overview	1
1.3 Component Identification	1
2.0 Battery Pack Removal from Power Source	2
3.0 Battery Charging.....	3
4.0 Battery Pack Insertion into Power Source	5

Table of Figures

Figure 1.1 Components of Rapid Charger	1
Figure 2.1 Accessing and Removing the Battery Pack.....	2
Figure 4.1 Opening Battery Compartment Door	5
Figure 4.2 Battery Connector Location	5
Figure 4.3 Battery Installation	6
Figure 4.4 Battery to Power Source Connection	6

1.0 Rapid Charger Description

1.1 Product Overview

The Vante® SEBRA® Model 2389 Rapid Charger (“Rapid Charger”) is a fast charging NiCad battery charger for use with battery packs of the Model 2380 Mini™ Hand Held Tube Sealer (“Model 2380”). The Rapid Charger comes with a power cord.

1.2 Component Identification

Shown in **Error! Reference source not found.** are the component parts of the Rapid Charger.

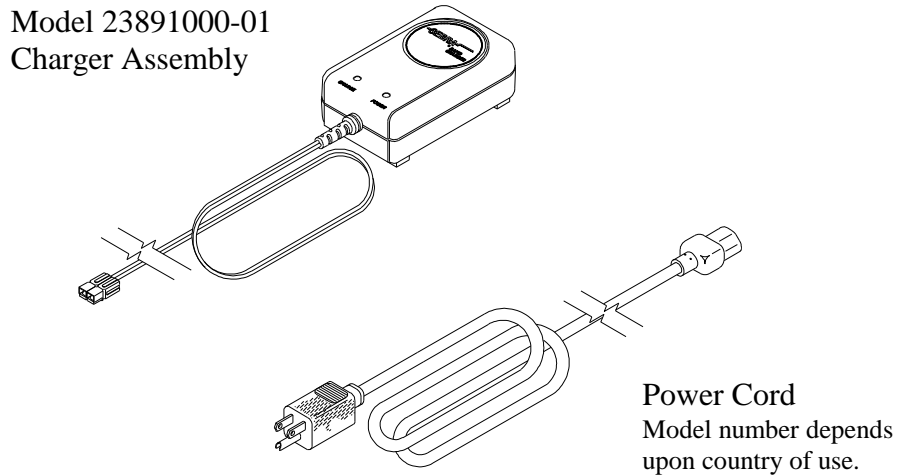


Figure 1.1

2.0 Battery Pack Removal from Power Source

- 2.1 The Model 2380 battery low condition is signaled when an audio alarm sounds and the battery low indicator light is illuminated. When this occurs, replace the battery pack with a freshly charged back-up battery pack.

NOTE: Arcing at the sealing head may cause a false battery low indication, even when the battery is not low. In such a case, shut the power source off and be sure the sealing head and/or tubing are dry and clean (to eliminate the possibility of further arcing). Turn the power source on and continue sealing. If the battery low condition is indicated again and arcing has not occurred, then it is time to charge the battery pack.

- 2.2 Prior to battery pack removal, turn the power switch to the “O” (off) position. Disconnect the sealing head and RF power cable and remove the power source from the carrying pouch.
- 2.3 Open the battery compartment door by sliding the latch to the right. Disconnect the battery connector from the power source connector and slide the battery pack out of the compartment. See Figure 2.1.

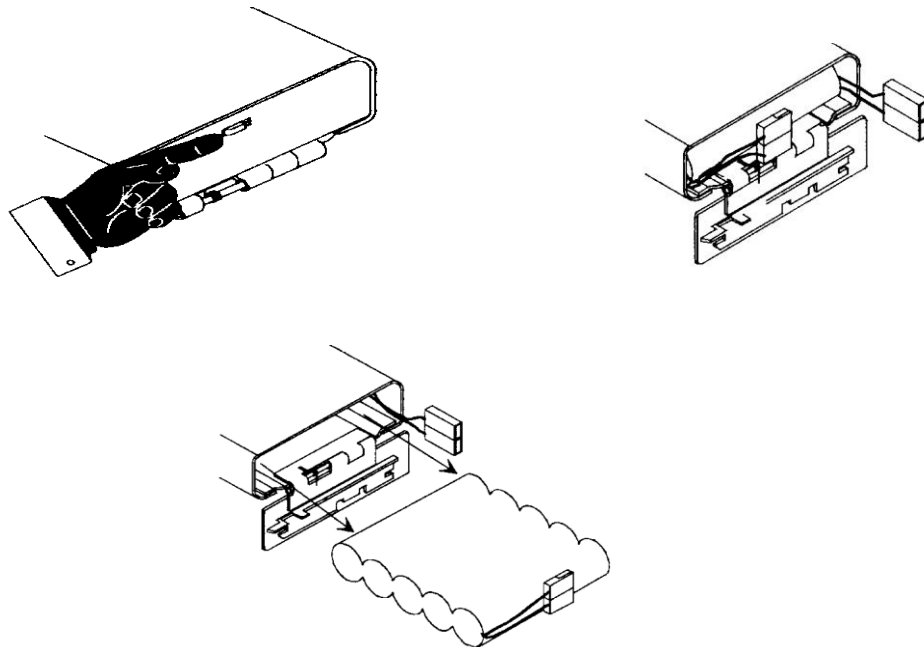


Figure 2.1

3.0 Battery Charging

CAUTION: The battery charger should *never* be used as an AC adapter by plugging the RF power source connector into the battery charger connector. The Sealer will not function properly and the charger may be damaged.

- 3.1 Plug the battery charger into an AC power source (wall outlet) and verify that the green power “ON” indicator light is illuminated.

Power status is represented by the green power status indicator light as follows:

<u>Power Indicator Light Activity</u>	<u>Description</u>
Green light not illuminated	Charger not plugged into AC power source (wall outlet).
Green light flashing	Battery Pack deeply discharged. See Note in Section 3.2 for how to proceed.
Green light continuously illuminated	Charger ready for charging. Plug in battery pack

NOTE: Check to see that the power cord plug matches the power receptacle for the country in which the battery charger is being used. If it does not, or if the green power “ON” indicator light does not illuminate, contact an authorized Vante® SEBRA service center.

- 3.2 Once the battery pack is removed from the RF power source (Section 2.0), plug the battery pack’s red and black connector into the matching connector on the battery charger.

CAUTION: The battery pack and charger connectors are keyed to properly engage. Be sure that the RED battery pack connector is engaged into the RED battery charger connector, and the BLACK into the BLACK. If they do not easily engage, do not attempt to force the connectors together. Improper battery connection will result in damage to the battery pack and/or charger and will void the warranty.

CAUTION: Charge the battery pack *only* with the Vante® SEBRA Model 2389 Rapid Charger to ensure safety and prevent battery damage.

NOTE: If amber charge status light fails to illuminate after connection, check to see that the battery pack is properly connected to the charger. If green power “ON” indicator light flashes, leave battery pack on charger for one hour. If amber charge status light still fails to illuminate after one hour, disconnect battery pack from charger and contact an authorized Vante® SEBRA service center for battery pack replacement.

3.3 Leave battery pack on battery charger until completely charged. Battery pack is completely charged when amber charge status indicator light flashes every ¼ second.

Charge status is represented by the amber charge status indicator light as follows:

<u>Charge Status</u>	<u>Charge Indicator Light Activity</u>	<u>Description</u>
Battery Absent	Amber light not illuminated	Battery pack not connected
Pending Mode	Amber light flashes every 1½ second	Charger in a slow charging mode. Maintain battery pack on charger. Charger will automatically switch to Fast Charge when appropriate.
Fast Charge	Amber light continuously illuminated	Charger in fast charge mode
Float Charge	Amber light flashes every ¼ second	Fast charging complete, battery pack ready for use

CAUTION: If Fast Charge period (amber charge status light is continuously illuminated) exceeds 6 hours, disconnect battery pack from battery charger and contact an authorized Vante® SEBRA service center.

If Pending Mode period (amber charge status light flashes every 1½ second) exceeds one hour, disconnect battery pack from charger and contact an authorized Vante® SEBRA service center for battery pack replacement.

3.4 Disconnect the battery pack from the charger and reinstall into the RF power source or set aside as a back-up. Disconnect battery charger from AC power source (wall outlet).

NOTE: It is important to remove battery pack from the charger before disconnecting the charger from the AC power source, or battery pack will lose its charge.

Battery packs not in active use should be maintained by discharging and recharging every 30 days.

4.0 Battery Pack Insertion into Power Source

- 4.1 Check to see that the Model 2380 power switch is in the “O”(off) position. Open the battery compartment door on the power source case by sliding the latch to the right. See Figure 4.1.

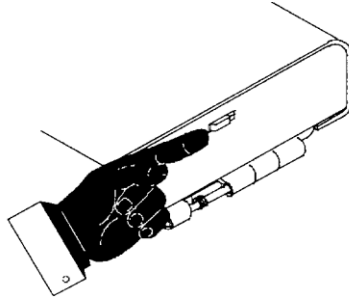


Figure 4.1

- 4.2 Position the battery connector as shown in Figure 4.2.

CAUTION: Use only with battery packs equipped with a Positive Thermal Cutout (PTC) device and/or approved for use with Vante® SEBRA Model 2380.

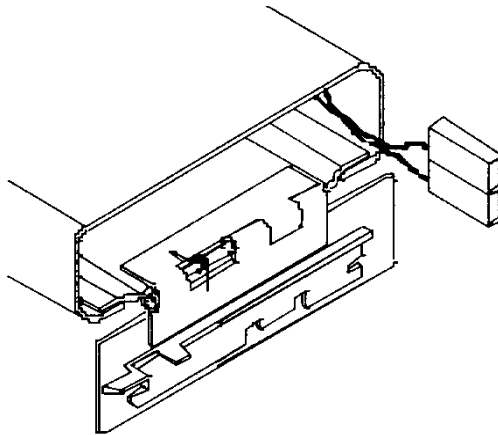


Figure 4.2

- 4.3 Slide the battery into the battery compartment and position the connectors as shown in Figure 4.3.

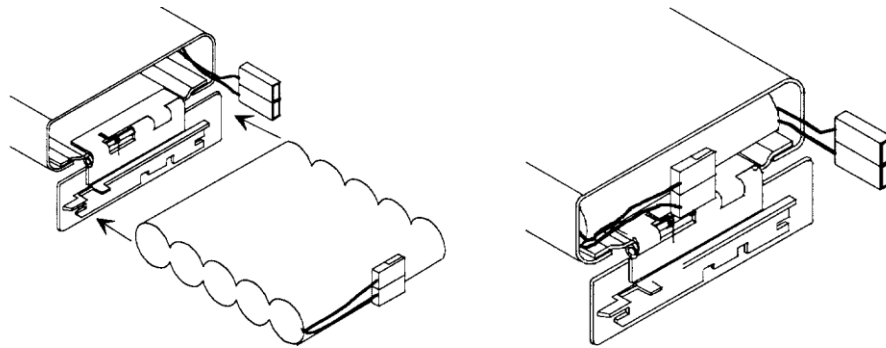


Figure 4.3

- 4.4 Once the battery is fully seated, engage the RF power source connector to the battery connector. See Figure 4.4.

CAUTION: The battery pack and RF power source connectors are keyed to engage properly. Be sure that the RED battery pack connector is engaged into the RED power source connector, and the BLACK into the BLACK. If they do not engage easily, do not attempt to force the connectors together. Improper battery connection will result in damage to the RF power source and will void the warranty.

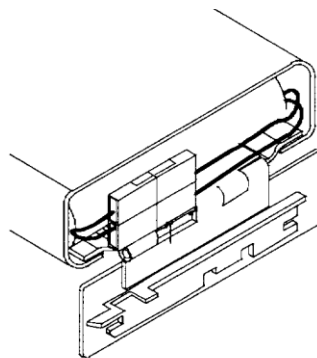


Figure 4.4

- 4.5 Close and latch the battery compartment door. If desired, install the RF power source into its carrying pouch. The sealer is now ready for use.